

ecostore
1 Door Digital Freezer, 670lt
(-22 / -15) - Remote (CO2)

ITEM # _____

MODEL # _____

NAME # _____

SIS # _____

AIA # _____


725245 (REX71FFRCO2)

 1-door Freezer 670lt, -22-15°
 C, digital, AISI 304, remote,
 CO2 with valve

Short Form Specification

Item No. _____

Full door freezer with internal and external structure in 304 AISI stainless steel; external back panel in galvanized steel and bottom panel in anti-corrosive material. Digital control with cabinet temperature display and setting and manual activation of defrost cycle. Fully compliant HACCP digital controls include visible alarms. Optimized back to front forced air flow provides even temperature distribution and fast cooling in any conditions. Fitted with 75 mm-thick cyclopentane insulating foam. On-site reversible door features lock and door microswitch to switch off the fan when the door is opened. Hidden evaporator to guarantee higher storage capacity and less corrosion problems. Remote refrigeration unit; CO2 refrigerant with valve; ventilated operation; automatic defrost and evaporation of defrost water.

Main Features

- Right hinged full door.
- Digital control with cabinet temperature display and setting and manual activation of defrost cycle. Fully compliant HACCP digital controls include visible alarms.
- Large storage area suitable to contain 2/1 GN grids or shelves on anti-tilt runners.
- Optimized back to front forced air flow provide even temperature distribution and fast cooling in any conditions.
- Automatic defrost.
- Internal structure with numerous charging positions available to host grids, ensuring higher net capacity and a greater storage space.
- Cabinet fitted with up to 75 mm thickness of cyclopentane insulation for best insulating performance with 100% environmental protection (thermal conductivity: 0,020 W/m*K).
- 60 mm-thick insulation covering the evaporator can be easily removed with a single operation.
- Rilsan coated grids for improved protection.
- Hidden evaporator thus guaranteeing higher storage capacity and less corrosion problems.
- Freezer model has operating temperatures that can be adjusted from -22 to -15 °C.
- Connectivity ready for real time access to connected appliances from remote and data monitoring (requires optional accessory).
- Integrated RS485 port to facilitate connection to a remote computer and integrated HACCP systems.
- Tropicalized unit.

Construction

- Constructed from the highest quality AISI 304 Stainless steel.
- Interior base with rounded corners, pressed from a single sheet.
- Stainless steel runners and supports easily disassembled.
- Anti-corrosion bottom avoids any damage that may be caused to the cabinet by aggressive detergents employed to clean the floors.
- Easy access to the main components for maintenance.
- Lockable door.
- Doors are self-closing and can be fully opened up to 180°.
- Mounted on adjustable Stainless steel feet, with castors as an option.
- Remote refrigeration unit.
- The rounded internal corners, the easily removable runners and grids allow for ease of cleaning and high hygiene standards.
- Solenoid valve included.

Sustainability

- Door switch stops the fan when door is opened to avoid cold air exiting the cell, thus saving energy.


APPROVAL: _____

- CFC and HCFC-free insulation.
- Removable triple-chamber balloon magnetic gasket to improve insulation and reduce energy consumption and ease of cleaning.

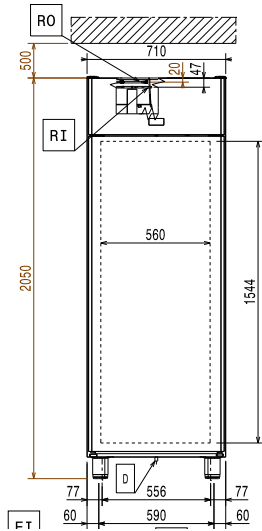
Included Accessories

- 3 of 2/1GN grey rilsan grid with 2 runners PNC 881020

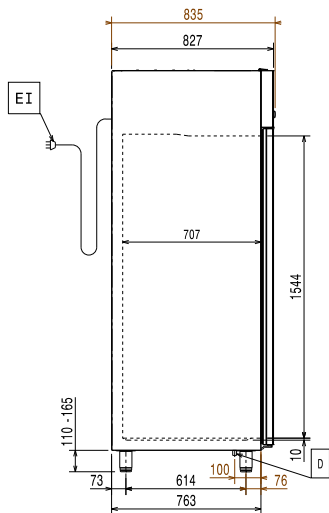
Optional Accessories

- 2 stainless steel runners for refrigerated cabinets - (Marine) PNC 880242
- Set of 8 GN1/1 PVC containers for fish PNC 880243
- Spacer for 670 lt and 1430 lt refrigerated cabinets PNC 880248
- Pedal opening for cabinets PNC 880324
- Kit remote alarm PNC 880570
- Ethernet connectivity kit IJF for Refrigeration PNC 880685
- 1/1GN plastic container with false bottom PNC 880705
- Kit of 10 pairs of runners and 4 tray supports to fit pastry trays (400x600mm) PNC 881003
- 2/1GN grey rilsan grid PNC 881004
- 2/1GN aisi 304 stainless steel grid PNC 881016
- 2/1GN 304 AISI stainless steel grid with 2 runners PNC 881018
- 2/1GN grey rilsan grid with 2 runners PNC 881020
- Set of 2 stainless steel runners for 670/1430lt refrigerators and freezers PNC 881021
- 2/1GN pvc container with lid and 2 runners PNC 881039
- 2/1GN perforated shelf PNC 881042
- 1/1GN rilsan steel wire basket h=150mm PNC 881043
- 2/1GN grey rilsan basket+2 runners h=150mm PNC 881047

Front

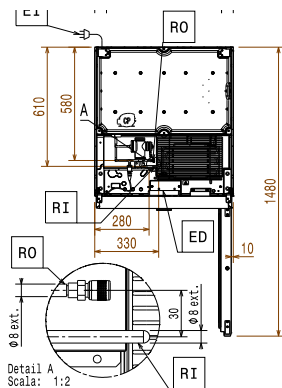


Side



ED = Remote electrical connection RO = Refrigerant Outlet
 EI = Electrical inlet (power)
 RI = Refrigerant Inlet

Top



Electric

Supply voltage:
 725245 (REX71FFRCO2) 220-240 V/1 ph/50/60 Hz

Capacity:

Number and type of grids
 (included): 3 - GN 2/1

Key Information:

Gross capacity: 670 lt
 Door hinges: Right Side
 External dimensions, Width: 710 mm
 External dimensions, Depth: 835 mm
 External dimensions, Depth
 with Doors Open: 1480 mm
 External dimensions, Height: 2050 mm
 Number and type of doors: 1 Full
 Type of external material: 304 AISI
 Type of internal material: 304 AISI
 Internal side panels material: 304 AISI
 Number of positions & pitch: 44; 30 mm

Refrigeration Data

Operating temperature min.: -22 °C
 Refrigeration type: R744
 Suggested refrigeration
 power: 573 W
 Condition at evaporation
 temperature: -23.3 °C
 Condition at condensation
 temperature: 55 °C
 Condition at ambient
 temperature: 32 °C
 Connection pipes (remote) -
 outlet: 9.5 mm
 Connection pipes (remote) -
 inlet: 6 mm
 Ref. Power calculated at a
 linear distance of 15 mt
 (piping)

*Note:

ISO Certificates

ISO Standards: ISO 9001; ISO 14001; ISO
 45001; ISO 50001